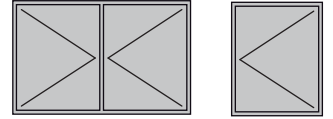
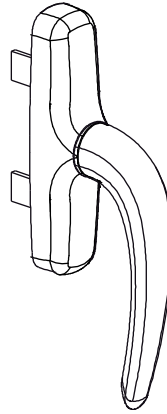


CREMONE BOLT

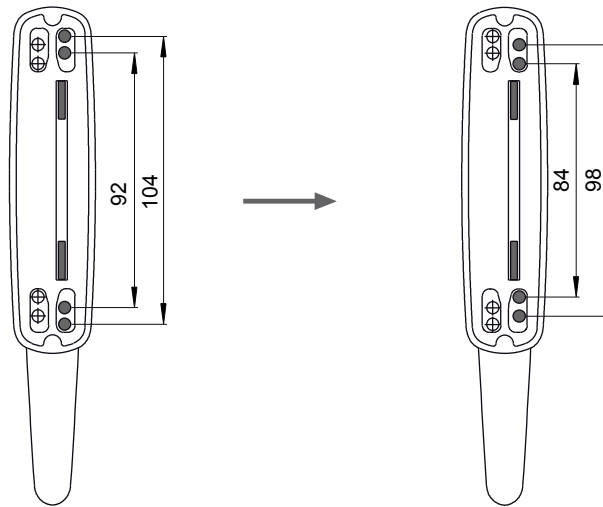
NEFER

Art. 0790B
Art. 0791B
Art. 0791BK
Art. 0792B



fapim[®]
Life in evolution

ULBQ - Rev.00

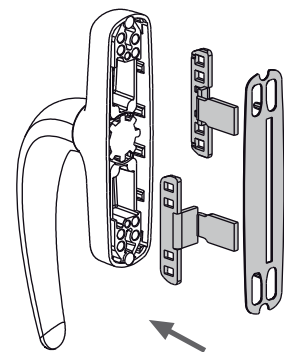
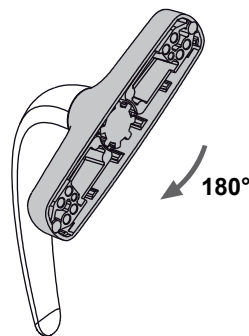
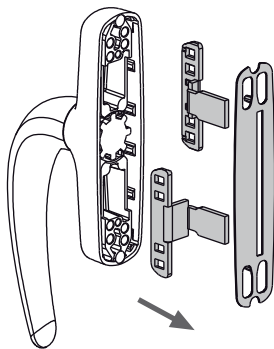


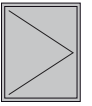
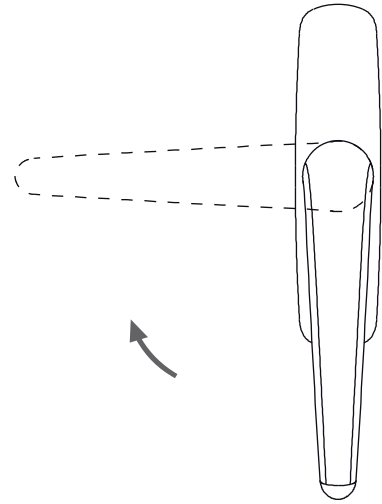
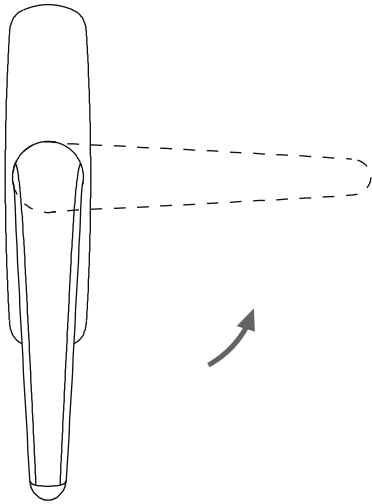
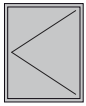
Standard

1

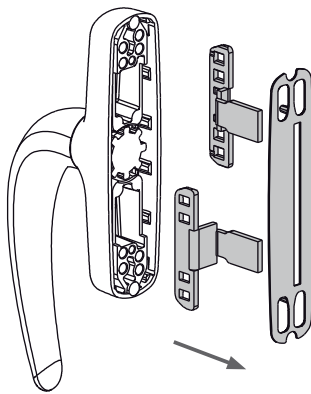
2

3

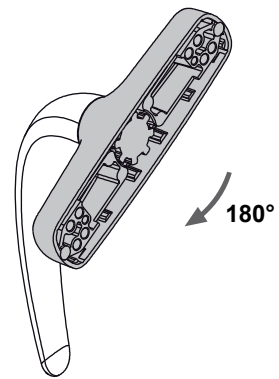




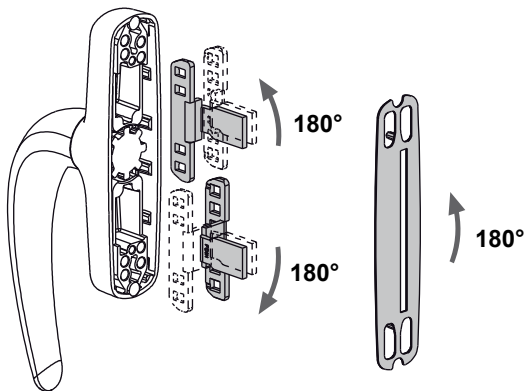
1



2



3



4

