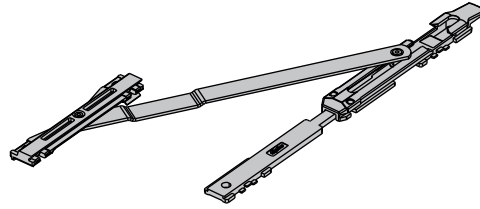
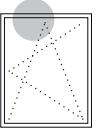


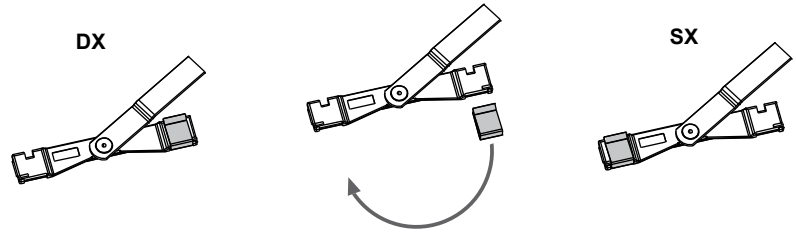
1455

Art. 1455



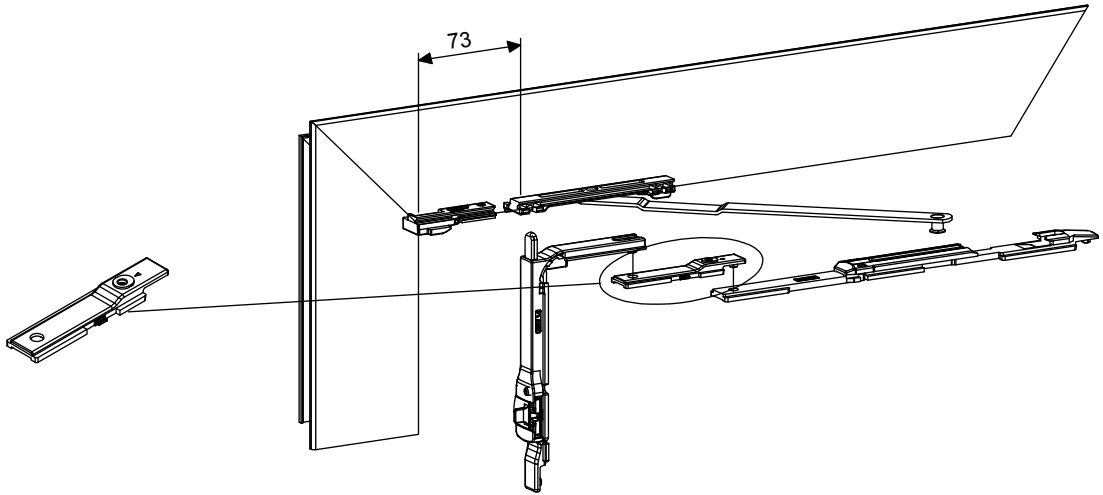
fapim[®]
Life in evolution

ULCY - Rev.00



GALICUBE

Art.1581H



GALIPLUS2

