

TECHNICAL DATA SHEET

DRACO SLIDING CLOSING DEVICES

STAC

STANDARDS

The articles **DRACO SLIDING CLOSING DEVICES** have been tested in accordance with the following standards:

> **UNE-EN 13126-1:2012** Building hardware. Hardware for windows and door height windows. Requirements and test methods.

Part 1: Requirements common to all types of hardware.

> **UNE-EN 13126-19:2011** Building hardware. Requirements and test methods for windows and door height windows.

Part 19: Sliding Closing Devices.

> **UNE-EN 1670:2007** Building hardware. Corrosion resistance. Requirements and test methods.



CLASSIFICATION FOR SLIDING CLOSING DEVICES

1	2	3	4	5	6	7	8	9
-	5	80	0	1	4	-	19/1	S.R.W. = 1075 / S.R.H. = 1230

The values have been obtained in the STAC Test Laboratory following the standard **UNE-EN 13126-19:2011** complying with the procedure written in the mentioned standard.

Digit 1	Category of use	No requirements
Digit 2	Durability	Grade 5 - 25.000 cycles (+1%)
Digit 3	Mass	80 kg
Digit 4	Fire resistance	Grade 0 - No requirements
Digit 5	Safety in use	Grade 1
Digit 6	Corrosion resistance	Grade 4 - Very high corrosion resistance. Recommended for use in exposed marine atmospheres or very polluted industrial environments.
Digit 7	Security	No requirements
Digit 8	Applicable part	Tested according to this European Standard, UNE-EN 13126-19. Grade 19/1: for use as sliding closing device manually action.
Digit 9	Test sizes	S.R.W (sash rebate width) = 1075 mm / S.R.H (sash rebate height) = 1230 mm

REFERENCES

030000 **	DRACO LINE AUTOMATIC SLIDING CLOSING DEVICE
030000 ** C	DRACO LINE MANUAL SLIDING CLOSING DEVICE
031000 **	DRACO MAX AUTOMATIC SLIDING CLOSING DEVICE
031000 ** C	DRACO MAX MANUAL SLIDING CLOSING DEVICE
0310 **	DRACO PULL HANDLE

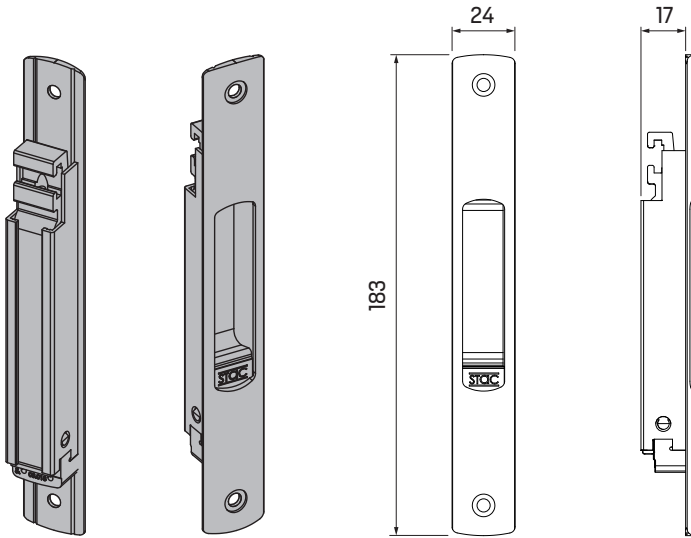
** FINISHES

TECHNICAL DATA SHEET

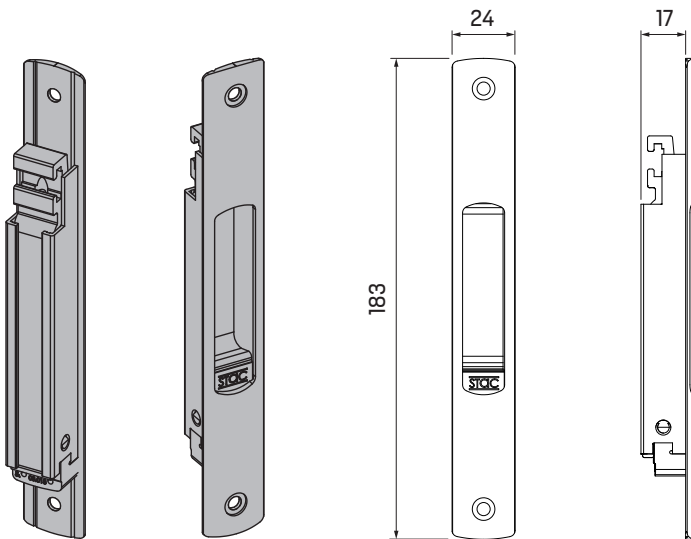
DRACO SLIDING CLOSING DEVICES

STAC

■ 030000xx DRACO LINE AUTOMATIC SLIDING CLOSING DEVICE



■ 030000xxC DRACO LINE MANUAL SLIDING CLOSING DEVICE



■ MATERIALS

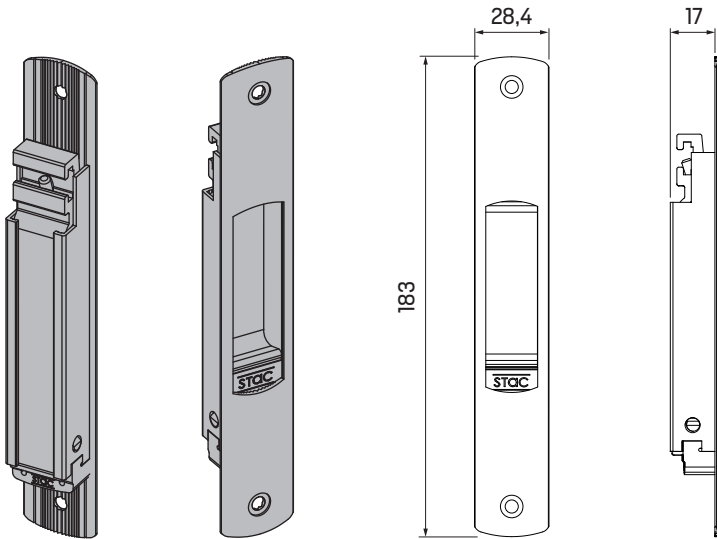
- Casing | Finger grip, aluminium
- Screw kit | Sphere, stainless steel AISI 304
- Spring, galvanized steel
- Anchor, acrylonitrile butadiene styrene (ABS)
- Cover, polypropylene (PP)

TECHNICAL DATA SHEET

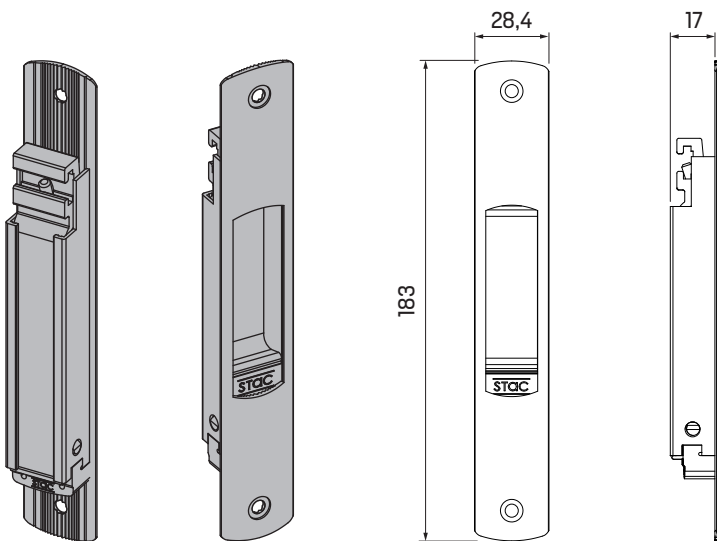
DRACO SLIDING CLOSING DEVICES

STAC

■ 031000xx DRACO MAX AUTOMATIC SLIDING CLOSING DEVICE



■ 031000xxC DRACO MAX MANUAL SLIDING CLOSING DEVICE



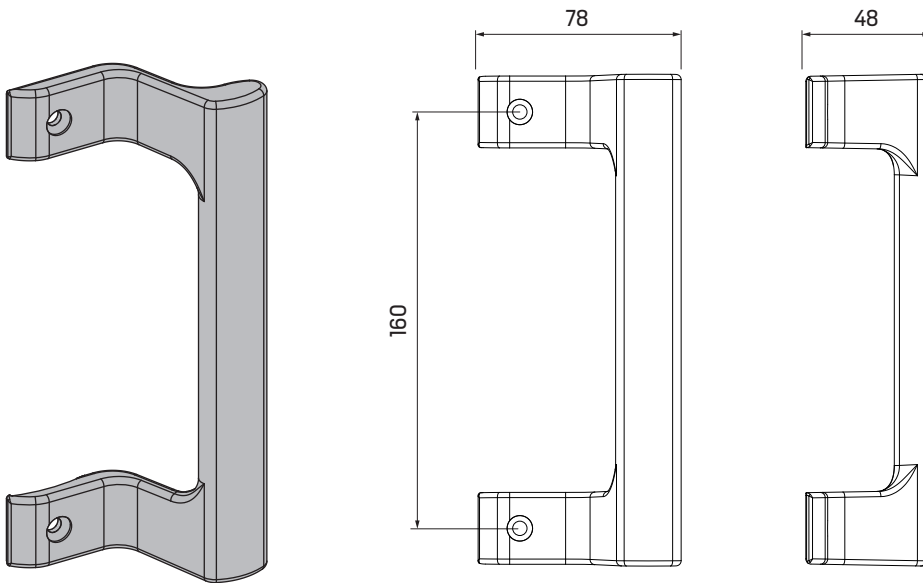
■ MATERIALS

- Casing | Finger grip, aluminium
- Screw kit | Sphere, stainless steel AISI 304
- Spring, galvanized steel
- Anchor, acrylonitrile butadiene styrene (ABS)
- Cover, polypropylene (PP)

TECHNICAL DATA SHEET
DRACO SLIDING CLOSING DEVICES

STAC

■ 0310xx **DRACO** PULL HANDLE



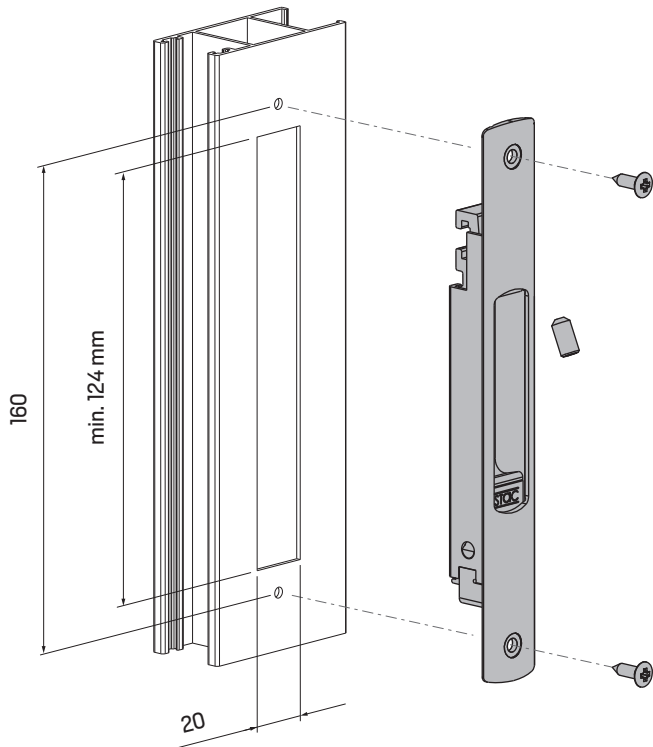
■ **MATERIALS**

- Casing, aluminium
- Screw kit, stainless steel AISI 304

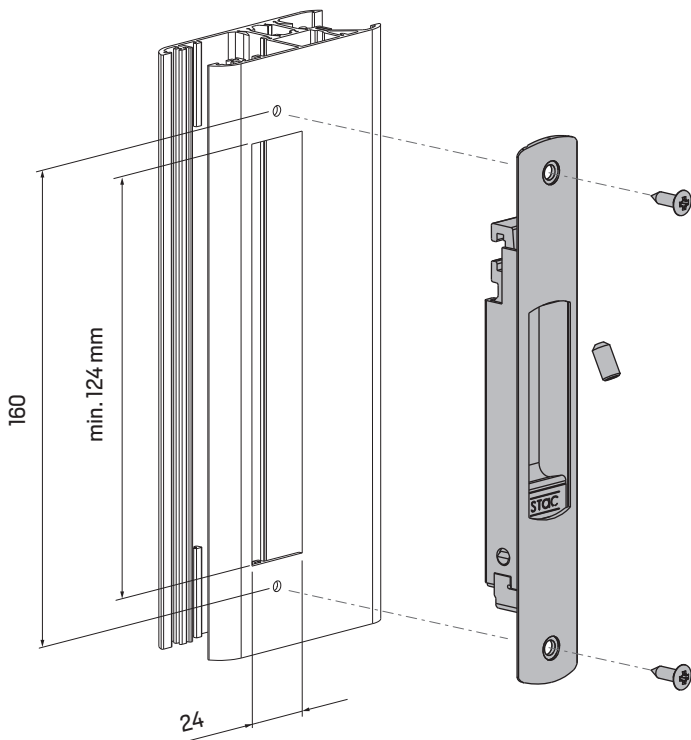
TECHNICAL DATA SHEET
DRACO SLIDING CLOSING DEVICES

STAC

■ 030000xx | 030000xxC **DRACO LINE** SLIDING CLOSING DEVICES ASSEMBLY



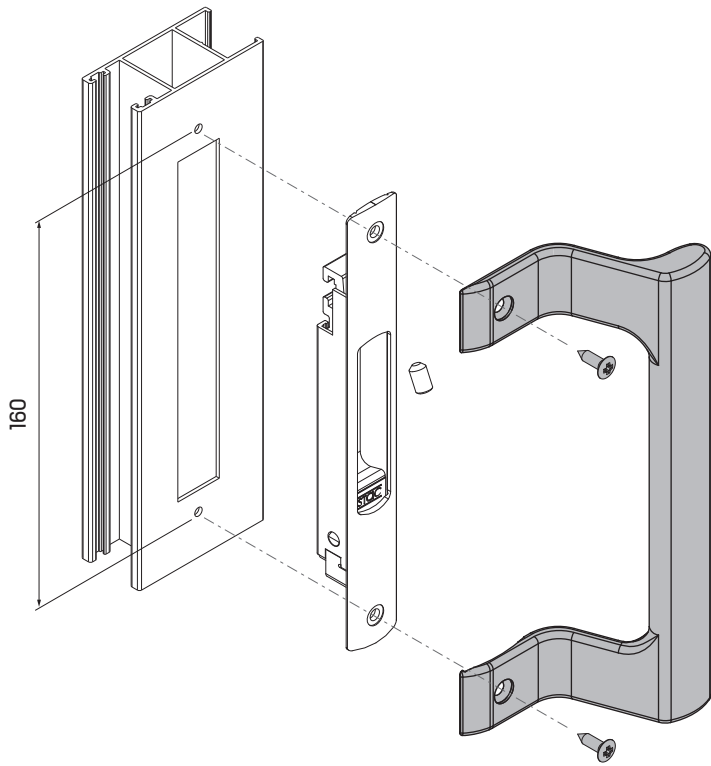
■ 031000xx | 031000xxC **DRACO MAX** SLIDING CLOSING DEVICES ASSEMBLY



TECHNICAL DATA SHEET
DRACO SLIDING CLOSING DEVICES

STAC

■ 0310xx **DRACO** PULL HANDLE + **DRACO LINE** SLIDING CLOSING DEVICES ASSEMBLY



■ 0310xx **DRACO** PULL HANDLE + **DRACO MAX** SLIDING CLOSING DEVICES ASSEMBLY

