

TECHNICAL SHEET

CARINA PLUS HINGE

023D/lxx

STAC

REGULATIONS | TESTS | RESULTS

The article **CARINA PLUS HINGE** has been tested according to standards:

UNE-EN 1935: 2002: Building hardware. Single-axis hinges. Requirements and test methods.

> Obtained: **Grade 9** (25.000 cycles)

UNE-EN 1670: 2007: Building hardware. Corrosion resistance. Requirements and test methods.

> Obtained: **Grade 4** (240 h)

The article has been tested under the following weight configurations:

- 2 hinges: **60 kg**
- 3 hinges or more: **75 kg**

MATERIALS

- Extruded aluminium body
- Sainless steel bolst and screws
- Polyamide bushes
- Stainless steel plates

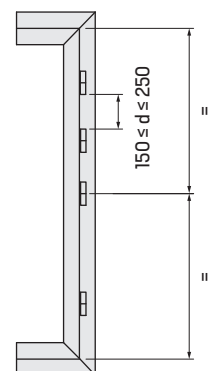
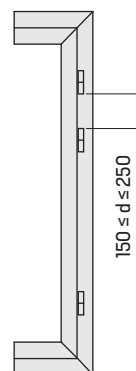
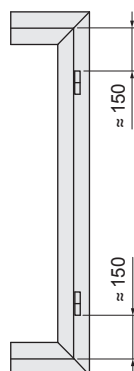
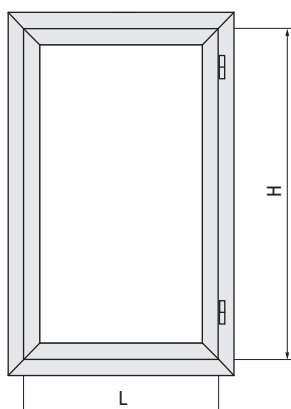
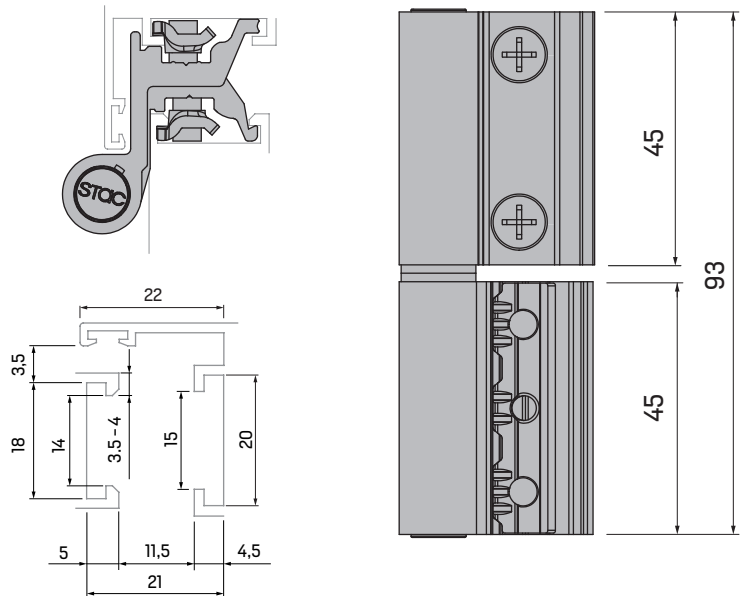
WEIGHT

- Aprox. 100 gr / unity

ASSEMBLY RECOMMENDATIONS



** FINISHES | **D** RIGHT | **I** LEFT



WEIGHT & DIMENSIONS LIMITS

The Carina Plus hinge (casement opening) must be fitted in compliance with the following limits table:

With 2 hinges: 60 kg maximum weight *

sash height H	2600																					53	47											
	2500																						56	49	45									
	2400																						52	47	43									
	2300																						55	49	44	41								
	2200																						51	46	42	39								
	2100																						55	48	43	40	38							
	2000																						51	45	41	38	36							
	1900																						55	47	42	39	37	35						
	1800																						50	44	40	37	35	33						
	1700																						54	46	41	38	35	34	32					
	1600																						49	43	39	36	34	32	31					
	1500																						53	45	40	37	34	33	31	30				
	1400																						48	42	38	35	33	31	30	29				
	1300																						53	44	39	35	33	31	30	29	28			
	1200																						47	40	36	33	31	30	29	28	27			
	1100																						51	42	37	34	32	30	29	28	27	26		
	1000																						45	38	34	32	30	29	28	27	26	26		
900																						50	40	35	32	30	29	28	27	26	25	25		
800																						43	36	32	30	28	27	26	26	25	25	24		
700																						48	38	33	30	28	27	26	25	25	24	24	24	
600																						40	33	30	28	27	26	25	24	24	24	24	24	
500																						45	34	30	28	26	25	25	24	24	24	24	24	
400																						36	30	27	26	25	25	24	24	24	24	24	24	
																						300	400	500	600	700	800	900	1000	1100	1200	1300	1400	1500

60 kg *

	Maximum weight configuration
XX	Limited weight configuration
	3 or more hinges are recommended
	Unviable configurations

sash length L

* Hinges must be fitted as shown in assembly recommendations

From 1800mm sash height a third hinge IS ALWAYS RECOMMENDED/MANDATORY in order to prevent the sash moving downwards, and it will be fitted 150-250 mm from the upper hinge. In Aluminium systems, another central hinge can be added from height>1200mm due to permeability requirements. Third hinge is also recommended in those configurations with L>1200mm to ensure window functionality.

IN CASE OF HEAVY WEIGHT AND LARGE DIMENSIONS, PLEASE CONTACT TO STAC TECHNICAL DEPARTMENT.
 LOCATION OF WINDOW OR CREMONE HEIGHT CAN ALSO VARY THE RECOMMENDED SETTINGS.

TECHNICAL SHEET
CARINA PLUS HINGE
 023D/lxx



WEIGHT & DIMENSIONS LIMITS

The Carina Plus hinge (casement opening) must be fitted in compliance with the following limits table:

With 3 hinges: 75 kg maximum weight *

sash height H	2600											66	59			
	2500											70	62	56		
	2400											65	58	54		
	2300											69	61	55	51	
	2200											64	57	53	49	
	2100											69	60	54	50	47
	2000											63	56	51	48	45
	1900	75 kg *					68	59	53	49	46	43				
	1800						63	55	50	46	44	42				
	1700						68	58	52	47	44	42	40			
	1600						61	54	49	45	42	40	39			
	1500						67	56	50	46	43	41	39	38		
	1400						60	52	47	43	41	39	38	36		
	1300						66	55	48	44	41	39	38	36	35	
	1200						58	50	45	42	39	38	36	35	34	
	1100						64	53	46	42	39	38	36	35	34	33
	1000						56	48	43	40	38	36	35	34	33	32
	900						63	50	44	40	38	36	34	33	33	32
	800						54	45	40	38	36	34	33	32		
700						60	47	41	38	35	34	33				
600						50	42	38	35	33						
500	56	43	38	35												
400	45	38														
	300	400	500	600	700	800	900	1000	1100	1200	1300	1400	1500			

sash length L

	Maximum weight configuration
XX	Limited weight configuration
	Recommended 4 hinges
	Unviable configurations

* Hinges must be fitted as shown in assembly recommendations.

From H>2000mm to use a fourth hinge IS RECOMMENDED due to permeability requirements.

IN CASE OF HEAVY WEIGHT AND LARGE DIMENSIONS, PLEASE CONTACT TO STAC TECHNICAL DEPARTMENT.
 LOCATION OF WINDOW OR CREMONE HEIGHT CAN ALSO VARY THE RECOMMENDED SETTINGS.