

FRIZ ARMS



Functions

Accessory utilised to limit opening of the sash when movement of the sash is restricted by obstacles such as uprights or walls.

Online data sheet



Technical Features

Sliding plate friction adjustable with a screw. Mounts to side-hung and tilt-and-turn casements with minimum dimension L = 450 mm.

As a pair, it may be used as a retainer arm for very heavy bottom-hung windows.

Equipped with a spring-loaded manual quick release.

Stop plate fitted with two grub screws to prevent slippage.

Materials

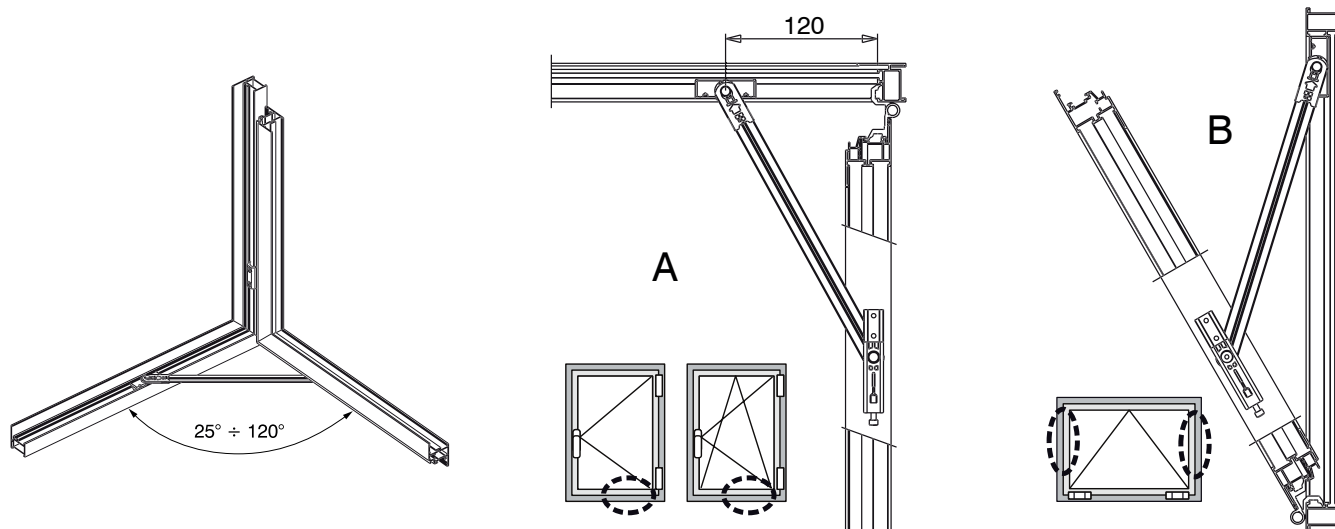
Fixing plate in zamak with GS Silver Plus finish (up to 500 h corrosion resistance)

Rod and stop plate made of pre-oxidised extruded aluminium.

Polyamide frictioning plate

Pins, screws, grub screws and release in stainless steel.

A: opening limiter. B: bottom-hung window.



Item code	Description	PROFILE CROSS - SECTION	Rod length (mm)	Load capacity as opening limiter (kg)	Load capacity as a bottom-hung pair (kg)	Base Raw	Items per pack
02030K	FRIZ STAY LIMITATION ARM	C001-C002-005-C011-C013-C014-C015-C016-C017	300	170	130	X	10
02031K	FRIZ STAY LIMITATION ARM	C003-C005-C006	300	170	130	X	10
02034K	FRIZ STAY LIMITATION ARM	C007	300	80	70	X	10
02035	FRIZ STAY LIMITATION ARM	C008	300	80	70	X	10
02800K	FRIZ STAY LIMITATION ARM	C001-C002-C003-C004-C005-C006-C011-C012-C013-C014-C015-C016-C017	140	100	130	X	10