

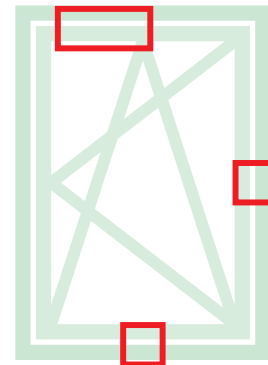
CHIC 3D 100 ADDITIONAL FASTENING MECHANISMS AND HARDWARE

Functions

The additional fasteners make it possible to add further fastening elements that either increase the dimensions of the casement or that can be used when locking points are needed on the cross beams or hinge-side upright.

Technical Features

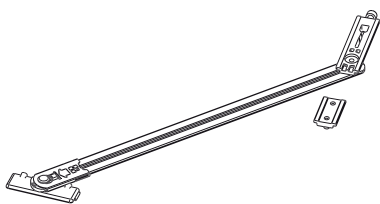
On the basis of the dimensions of the casement, additional fasteners (for $H > 1200$ mm and $W > 1000$ mm) and the additional arm (which is mandatory for $W > 1000$ mm) are to be used in combination with this mechanism.



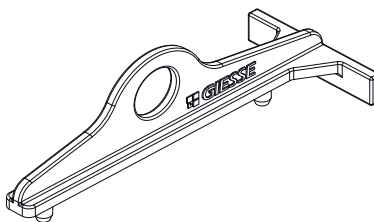
Online data sheet



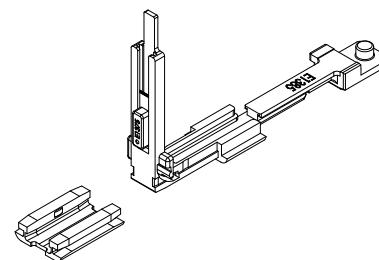
02030K



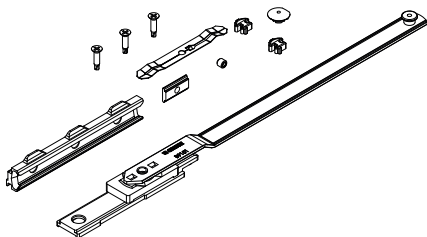
03535



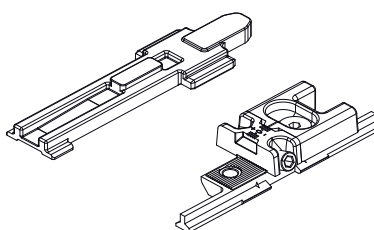
04024K



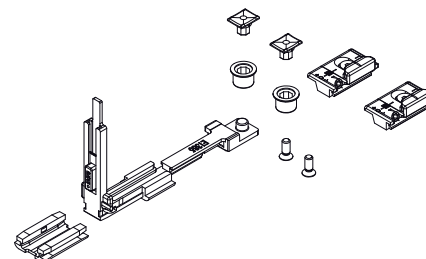
04301K



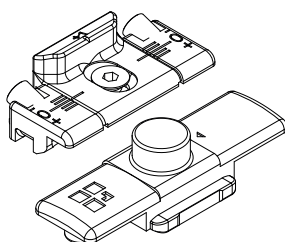
04357



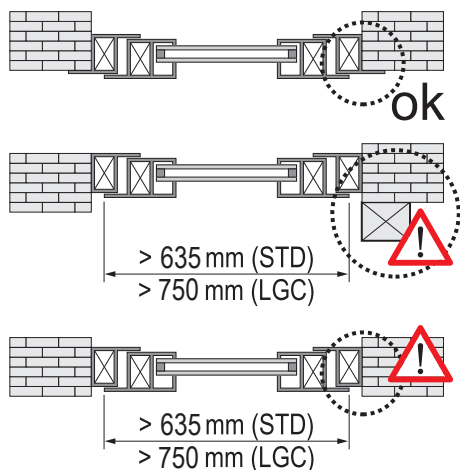
04770K



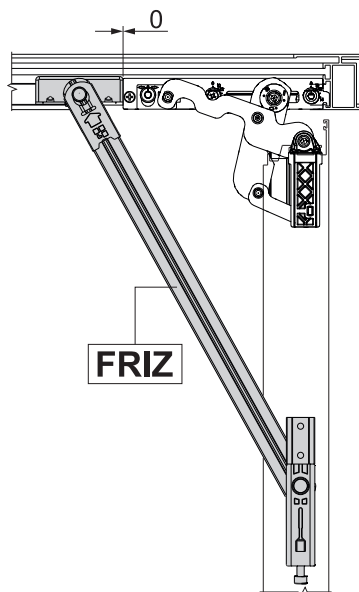
04777K



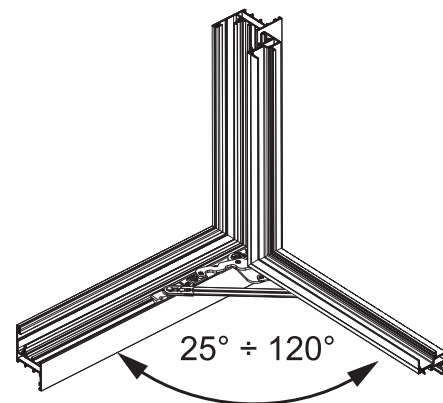
Mandatory to use the FRIZ arm



FRIZ arm positioning



Opening angle with FRIZ arm



| Item code | Description | PROFILE CROSS - SECTION | Range (mm) | Version | Base Raw | Anodised Elox | Painted | Trend/Gold Brass | Pieces per pack |
|-----------|--|--|----------------------|---------|----------|---------------|---------|------------------|-----------------|
| 02030K | FRIZ STAY LIMITATION ARM | C001-C002-005-C011-C013-C014-C015-C016-C017 | See picture | - | X | | | | 10 |
| 03535 | CHIC - TEMPLATE FOR TILT-AND-TURN | C001-C002-C003-C005-C006 | - | - | X | | | | 10 |
| 04024K | CORNER DRIVE FOR FUTURA BURGLAR-PROOF FUNCTION | C001-C002-C003-C013-C014-C015-C016-C017 | - | - | X | | | | 10 |
| 04301K | T/T FUTURA ADDITIONAL ARM | C001-C002-C003-C005-C006-C011-C013-C014-C015-C016-C017 | W > 1000 | - | X | | | | 5 |
| 04357 | CHIC - ARM ADDITIONAL FASTENING MECHANISM | C001-C002-C003-C005-C006 | - | - | X | | | | 10 |
| 04770K | FUTURA ADDITIONAL FASTENING MECHANISM | C001-C002-C003-C005-C006-C013-C014-C015-C016-C017 | H > 1200 L > 1000 | - | X | | | | 10 |
| 04777K | FUTURA ADDITIONAL FASTENING MECHANISM | C001-C002-C003-C005-C006-C011-C013-C014-C015-C016-C017 | H > 1200 L > 1000 | Logica | X | | | | 50 |